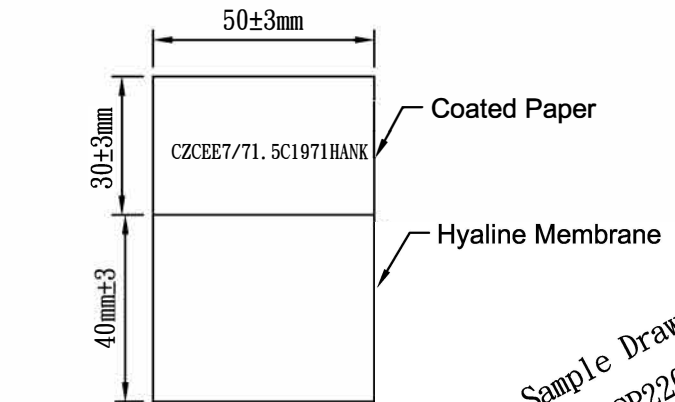
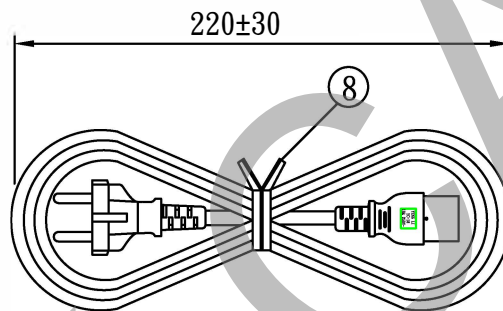
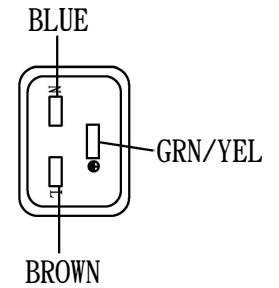
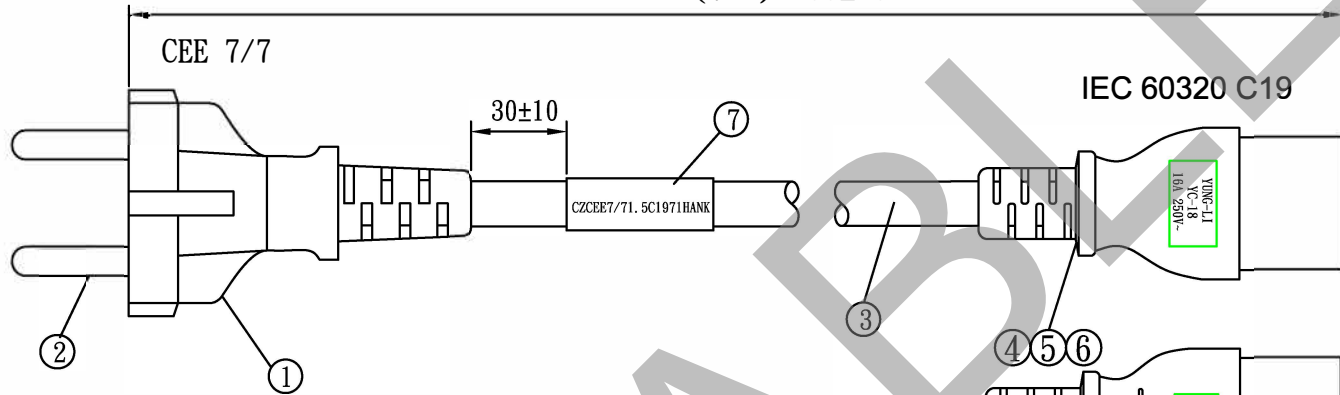
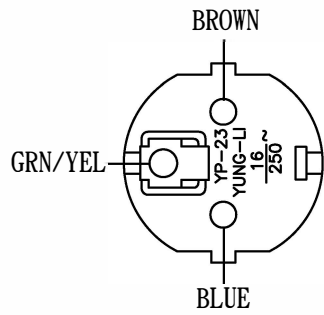




EAC
CHINA



(71")1800±50



Sample Drawing No. :
SP220307-06

NO.	SPECIFICATION	QTY	REMARK
1	YP-23 PVC PLASTIC:50P BLACK	32g/PC	
2	TER:98651 BLACK	1PC	
3	H05VV-F 1.5/3G BLACK	1PC	
4	YC-18 PVC PLASTIC:50P BLACK	25g/PC	
5	YC-18 INNER BODY	1PC	
6	YC-18 TER	3PCS	
7	LABEL: (40+30)*50mm	1PC	
8	MINI TIE BLACK	1PC	

Tolerance >0±0.30 >1.0±0.50 >10.0±1.0 >20.0±2.0 Angle: ±1°	Approved		Date	MK Cable			
	Checked		Date				
	Drawn	SUKI	Date	22.03.07	ITEM #	MK0515	
	Cat. No.	YP-23/YC-18			MODEL #	CZCEE7/71.5C1971HANK	
	Drawing No.		Rev.	B	Material	P.V.C	Unit
				Scale			