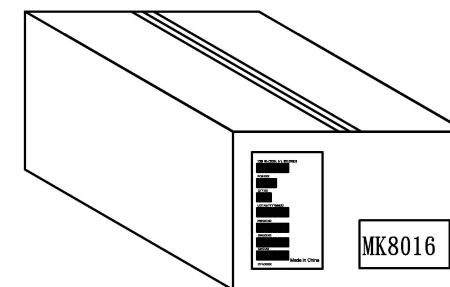
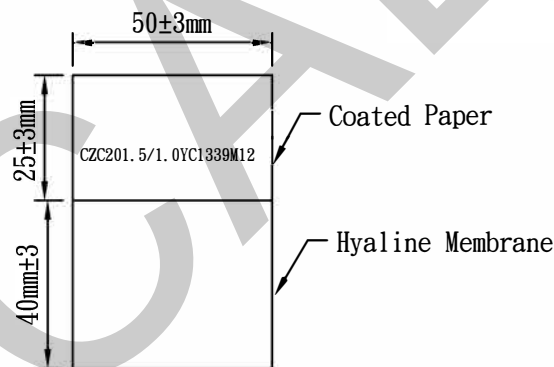
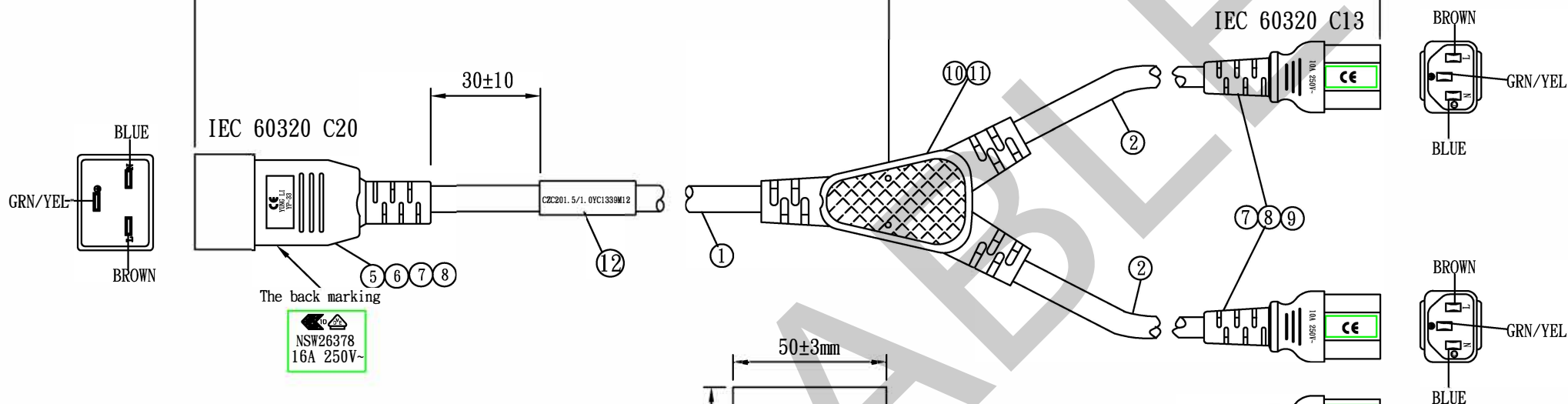




(27") 686±30

(12") 305±30



Packing: Bundled to ease installation.

NO.	SPECIFICATION	QTY	REMARK
1	H05VV-F 1.5/3C BLACK	1PC	
2	H05VV-F 1.0/3C BLACK	2PCS	
3	TER:97606BS-1	2PCS	
4	TER:97607BS-1	1PC	
5	YP-33 INNER BODY	1PC	
6	YP-33 PVC PLASTIC:50P BLACK	32g/PC	
7	YC-12 PVC PLASTIC:50P BLACK	36g/PC	
8	TER:97740	6PCS	
9	YC-12 INNER BODY	2PCS	
10	SR6 PVC PLASTIC:50P BLACK	9g/PC	
11	TER:96146	3PCS	
12	LABEL:(25+40)*50mm	1PC	

Tolerance	Approved	Date		MK Cable				
	>0±0.30	Checked	Date					
>1.0±0.50	Drawn	SUKI	Date	23.03.02	Model #	CZC201.5/1.0YC1339M12		
>10.0±1.0	Cat. No.	YP-33/SR6+YC-12*2			ITEM #	MK8016		
>20.0±2.0	Drawing No.	Rev.	B	Material	P.V.C	Unit	mm	
Angle:				HEFT(g)				